



CYLINDER VALVES

V200, V400, V800 Series, Accessories

PROFILE

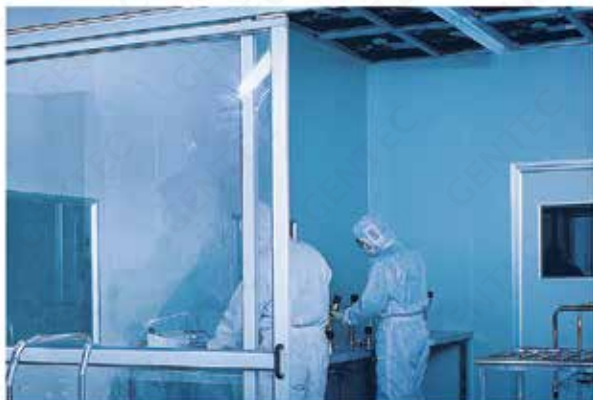
GENTEC® Company Overview

Solutions for Life



About Us

GENTEC is a global leader in the design, engineering, and manufacturing of critical gas delivery systems and components for the semiconductor industry. Products include ultra-high purity gas regulators, pressure gauges, valves, fittings and substrates. With over 50 years of manufacturing experience, GENTEC remains committed to delivering top-notch quality, ensuring the seamless realization of next generational systems.



Our Team

Our highly educated team of engineers, salespeople, technicians, managers, and customer service personnel are dedicated to providing you with products with the highest quality, reliability and performance. We hold the highest standards to our manufacturing processes; our total process management maximizes our production efficiency while ensuring product quality.

We work closely with all of our customers to design products specific to your needs. This includes developing new products, redesigning existing products, and customizing configuration / packaging. It is our priority to foster a strong relationship with each and every customer.

Quality Assurance

All of our products are manufactured under stringent quality control. We are ISO 9001: 2001 and API certified. Our products meet UL, CE, SEMI, and various international standards and certifications.

Manufacturing Capabilities

Products are manufactured in a 50,000 square meter facility boasting state-of-the-art CNC centers and fully automated robotic arms. To ensure cleanliness, we utilize an 18.25 MΩ deionized ultra-pure water system and a 29-tank automatic ultrasonic cleaning system. Additionally, a 99.99999% ultra-pure nitrogen plant and orbital welding are used in the manufacturing and assembly process. Our electropolishing and surface treatment facility can achieve Zero Emission and significantly minimize our environmental footprint, showcasing our commitment to a sustainable environment.

Cleanroom Facilities

Our Class 100 (ISO 5) cleanrooms are designed for ultra-high purity (UHP) product manufacturing. UHP products undergo precision machining, wetted surface treatment, electropolishing, and passivation. All UHP products are cleaned using 18 MΩ deionized (DI) water in a cascade ultrasonic tank. To ensure optimal UHP product quality, they are subsequently vacuum-dried and double-bagged.

TABLE OF CONTENTS

Solutions for Life



Cylinder Valves

- 04. V200 Series Cylinder Valves
- 05. V400 series Cylinder Valves
- 06. V800 series Cylinder Valves
- 07. Cylinder Valves Ordering Information

Cylinder Valves Accessories

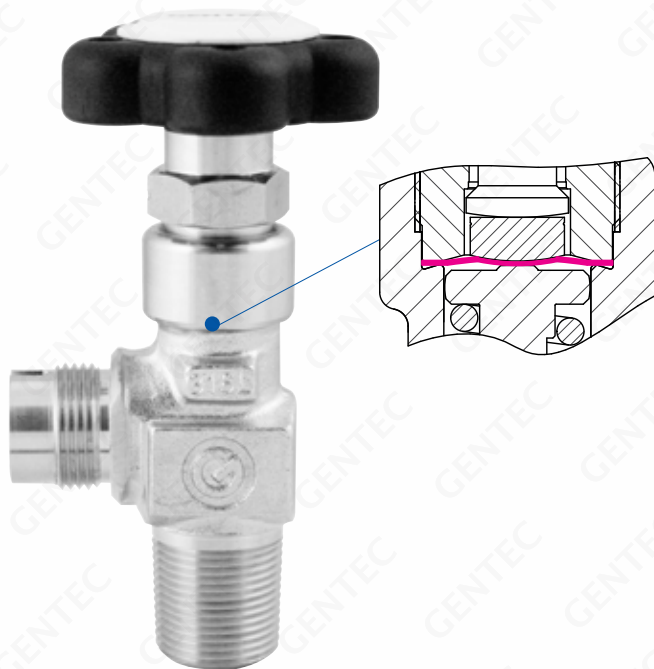


- 08. Safety Plugs
- 08. Flow Restrictors
- 09. UHP CGA Caps
- 10. UHP CGA Washers
- 11. UHP CGA Connections
- 13. UHP CGA Connection Plugs
- 14. HP CGA Caps & Plugs
- 15. HP CGA Connections
- 16. HP Connection Plugs
- 19. HP Connection gas-guide tubes, Nuts & Washers

TECHNOLOGY OVERVIEW

Cylinder Valves

Solutions for Life



V200 SERIES

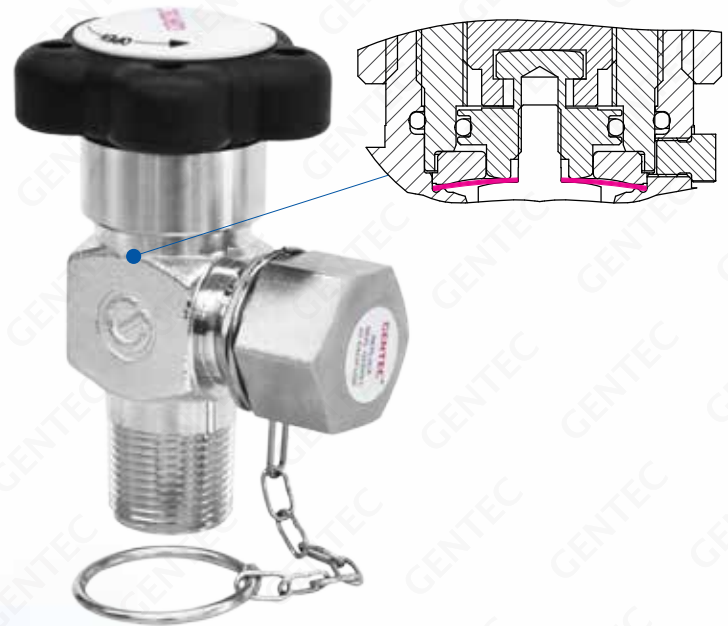
Gas Type: High purity, flammable & toxic gases

Applications: Calibration, Laboratories, food industry

Purity grade: >5.0

Advantages:

- The gas does not come into contact with the valve operating mechanism.
- High leak tightness through diaphragm sealing.
- Low operating torque.



V400 SERIES

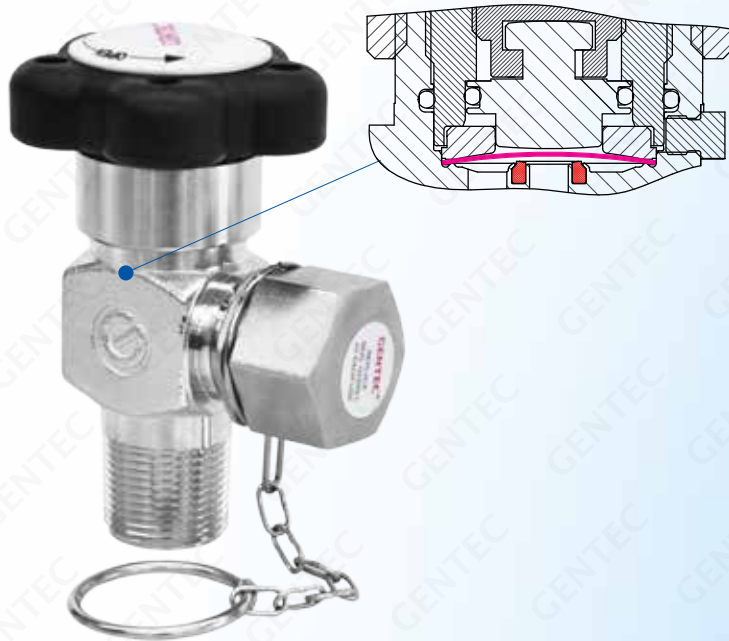
Gas Type: High, Ultra High purity, toxic & corrosive gases

Applications: Electronics manufacturing, Chemical industry

Purity grade: >8.0

Advantages:

- Reduced dead space and wetted volume allow for quick and easy purging.
- Springless, threadless design minimizes particles and prevents gas contamination.
- Robust mechanical linkage between lower and upper stems and handwheel. ensures smooth and reliable operation.
- Tied diaphragm design ensures superior leak-tight integrity, prevents particle generation, enhances durability, and provides consistent performance.



V800 SERIES

Gas Type: High, Ultra High purity, toxic & corrosive gases

Applications: Electronics manufacturing, Chemical industry

Purity grade: >8.0

Advantages:

- The outlet port is sealed and protected by a cap retained by a chain.
- Mechanically supported and retained valve seat to minimise deformation under load and seat lift under reverse flow conditions.
- The diaphragm separates the operating mechanism from the process fluids, featuring a one-piece, non-welded construction that enhances integrity and extends fatigue life.
- To prevent the shedding of particulate contamination, there are no sliding, rotating or rubbing components in the flow path.
- Springless and threadless design reduces particle generation and prevents gas contamination.
- For transportation the actuator can be locked closed to prevent shock induced leakage.
- The valve mechanism incorporates secondary sealing for enhanced safety.
- Non-tied diaphragm design; the diaphragm directly engages the seat to close the valve, minimizing dead space and wetted surfaces.
- Threaded external leak detection port for convenient connection and enhanced safety.

V200 SERIES

Cylinder Valves

Solutions for Life

GENTEC® V200 Series Cylinder Valves, Suitable for HP, flammable and toxic gases.



Features

- The valve body adopts an integrated structure to prevent leakage.
- The standard form of the valve is a right-angle type, which is directly installed on the gas cylinder.
- Plum blossom-shaped handwheel type rotary switch.

Specification

- Maximum operating pressure: 3000 psi (207 bar)
- Outboard (gland) Leak Rate: $\leq 1 \times 10^{-9}$ mbar l/s (249 bar He)
Inlet/Outlet (seat) Leak Rate: $\leq 1 \times 10^{-9}$ mbar l/s (249 bar He)
- Operating temperature: $-20^{\circ}\text{C} \sim 70^{\circ}\text{C}$ ($-4^{\circ}\text{F} \sim 158^{\circ}\text{F}$)
- CV: 0.3

GENTEC® V400 Series Cylinder Valves are developed for the semiconductor industry. It is designed for use with ultra-high purity gas cylinders to prevent gas leakage and achieve the low leakage rates demanded by ultra-high purity gas users.



SL-V402-N4-D632-K

Features

- Suitable for most specialty gases including variants for oxygen and highly corrosive gases such as chlorine and hydrogen chloride
- Manual and pneumatic versions are available based on a common body design
- Final assembly and testing are carried out under Class 100 (ISO 5) cleanroom conditions
- 100% high-pressure helium leak test
- Tied-diaphragm design with replaceable valve seat
- Various inlet and outlet gas connection standards are available (CGA, JIS, ISO etc.)
- For transportation the actuator can be locked to prevent shock-induced leakage
- The outlet port is sealed and protected by a cap retained by a chain
- Internally springless design
- The valve mechanism incorporates secondary sealing for enhanced safety

Materials

- Body: 316L, 316L VAR
- Seat: Vespel®, PCTFE
- Diaphragm: Co-Ni Super Alloy

Specifications

- Flow Capacity: Cv=0.3
- Working Pressure: 3000 psi
- Nominal Bore: 4 mm
- Outboard (gland) Leak Rate: $\leq 1 \times 10^{-9}$ mbar l/s (249 bar He)
- Inlet/Outlet (seat) Leak Rate: $\leq 1 \times 10^{-8}$ mbar l/s (249 bar He)
- Temperature: -40°C ~ 60°C (-40°F ~ 140°F)

Pneumatic Control Specification

- A normally-closed actuator is available for all valves
The valve is opened by applying pressure and is closed by spring return
- Pilot Pressure: 73 ~ 116 psi
- Actuating Medium: Air or Nitrogen
- Pilot Port: G 1/8
- Materials of Construction: stainless steel, nickel aluminium bronze and hard anodized aluminium alloy



SL-V401-N4-D632-K

V800 SERIES

Cylinder Valves

Solutions for Life

GENTEC® V800 Series Cylinder Valves are developed for the semiconductor industry. It is designed for use with ultra-high purity gas cylinders to prevent gas leakage and achieve the low leakage rates demanded by ultra-high purity gas users.



SL-V801-N4-D632-K

Features

- Suitable for most special gases including variants for oxygen and highly corrosive gases such as chlorine and hydrogen chloride
- Manual and pneumatic versions are available based on a common body design
- Final assembly and testing are carried out under Class 100 (ISO 5) cleanroom conditions
- 100% high-pressure helium leak test
- Low internal dead volume minimizes purge time
- To prevent the shedding of particulate contamination, there are no sliding, rotating, or rubbing components in the flow path
- Various inlet and outlet gas connection standards are available (CGA, JIS, ISO etc.)
- For transportation the actuator can be locked to prevent shock-induced leakage
- The outlet port is sealed and protected by a cap retained by a chain
- Internally springless design
- The valve mechanism incorporates secondary sealing for enhanced safety

Materials

- Body: 316L, 316L VAR
- Seat: Vespel®, PCTFE
- Diaphragm: Co-Ni Super Alloy

Specifications

- Flow Capacity: Cv=0.26
- Working Pressure: 3335 psi
- Nominal Bore: 4 mm
- Outboard (gland) Leak Rate: $\leq 1 \times 10^{-9}$ mbar l/s (276 bar He)
- Inlet/Outlet (seat) Leak Rate: $\leq 1 \times 10^{-8}$ mbar l/s (276 bar He)
- Temperature: -40°C ~ 60°C (-40°F ~ 140°F)

Pneumatic Control Specification

- A normally-closed actuator is available for all valves
- The valve is opened by applying pressure and is closed by spring return
- Pilot Pressure: 73 ~ 116 psi
- Actuating Medium: Air or Nitrogen
- Pilot Port: G1/8
- Materials of Construction: stainless steel, nickel aluminium bronze and hard anodized aluminium alloy



SL-V800-N4-D632-K

ORDERING INFORMATION

Solutions for Life

Cylinder Valves

Ordering Information

Ex:	SL	- V200	- N4	- C350	- K	- R1
	Body	Series	Inlet Connection	Outlet Connection	Seat Material	Safety Plug Model
	SS: 316L	V200	P2: GB PZ27.8 N4: 3/4 NGT N8: 3/8 NGT T2: 1/2 NPT B1: BSP, 1"-14 E2: EN 629-1 25E D2: DIN 477 W28.8 X 1/14 J2: JIS B8246 V2	GB01: W21.8-14RH GB03: G5/8-RH GB17: W21.8-14LH C350: CGA350 D632: CGA632(DISS) C660: CGA660 D714: CGA714 (DISS) D718: CGA718 (DISS) BS03: BS 341#03 DN01: DIN 477#01 J22R: J22R	K: PCTFE	R1: Safety plug (Safety plug allocation table)

Ex:	SL	- V400	- N4	- D632	- K	- R04 (Optional)	- T (Optional)
	Body	Serial	Inlet Connection*	Outlet Connection*	Seat Material	Safety Plug	Flow Restrictor
	SL: 316L SLV: 316L VAR	V401: Handwheel V402: Pneumatic	P2: GB PZ27.8 N4: 3/4 NGT T2: 1/2 NPT B1: BSP, 1"-14 E2: EN 629-1 25E D2: DIN 477 W28.8 X 1/14 J2: JIS B8246 V2	D632: CGA632 (DISS) D634: CGA634 (DISS) D714: CGA714 (DISS) D718: CGA718 (DISS) J22R: J22R GB01: W21.8-14RH C350: CGA350 C660: CGA660 BS03: BS 341#03 DN01: DIN 477#01	K: PCTFE V: Vespel®	Blank: No safety plug RXX: Safety plug**	Blank: No flow restrictor installation hole T: Flow restrictor installation hole**

Ex:	SL	- V800	- N4	- D632	- K	- R04 (Optional)	- T (Optional)
	Body	Serial	Inlet Connection*	Outlet Connection*	Seat Material	Safety Plug	Flow Restrictor
	SL: 316L SLV: 316L VAR	V800: Handwheel V801: Pneumatic	P2: GB PZ27.8 N4: 3/4 NGT T2: 1/2 NPT B1: BSP, 1"-14 E2: EN 629-1 25E D2: DIN 477 W28.8 X 1/14 J2: JIS B8246 V2	D632: CGA632 (DISS) D634: CGA634 (DISS) D714: CGA714 (DISS) D718: CGA718 (DISS) J22R: J22R GB01: W21.8-14RH C350: CGA350 C660: CGA660 BS03: BS 341#03 DN01: DIN 477#01	K: PCTFE V: Vespel®	Blank: No safety plug RXX: Safety plug**	Blank: No flow restrictor installation hole T: Flow restrictor installation hole**

* The connection form can be customized according to different customer requirements. For details, please contact GENTEC.

** Additional pressure relief devices and flow limiters need to be selected. The models are shown in the pressure relief device selection type and flow limiter selection type.

ACCESSORIES

Cylinder Valves

Solutions for Life

Safety Plugs



Safety Plugs Allocation Table

Code	Part No.	Material	Features Description	Solution Temperature °C (°F)	Working Pressure psi (MPa)	Rupture Pressure psi (MPa)
R1	201099001	Ni	Rupture Disk Type	/	2015 (13.9)	3360 (23.2)
R2	201099002	Ni	Rupture Disk Type	/	2265 (15.6)	3775 (26.0)
R3	201099003	Multicomponent Alloy+Ni	Solution+rupture Disk Type	74 (165)	2015 (13.9)	3360 (23.2)
R4	201099004	Multicomponent Alloy+Ni	Solution+rupture Disk Type	74 (165)	2265 (15.6)	3775 (26.0)
R5	201099005	Multicomponent Alloy+Ni	Solution+rupture Disk Type	100 (212)	2015 (13.9)	3360 (23.2)
R6	201099006	Multicomponent Alloy+Ni	Solution+rupture Disk Type	100 (212)	2265 (15.6)	3775 (26.0)
R7	330113060	Ni	Rupture Disk Type	/	1380 (9.5)	2300 (15.9)
R10	330113050	Stainless Steel	Rupture Disk Type	/	2015 (13.9)	3360 (23.2)
R11	330113010	Multicomponent Alloy+Stainless Steel	Solution+rupture Disk Type	74 (165)	2015 (13.9)	3360 (23.2)
R12	330113020	Multicomponent Alloy+Stainless Steel	Solution+rupture Disk Type	74 (165)	2400 (16.5)	4000 (27.6)
R13	330113100	Multicomponent Alloy+Stainless Steel	Solution+rupture Disk Type	100 (212)	2265 (15.6)	3775 (26.0)
R22	201099007	Multicomponent Alloy	Soluble Washer	100 (212)	500 (3.5)	
R23	201099008	Multicomponent Alloy	Fusible Plug	74 (165)	500 (3.5)	

Flow Restrictors

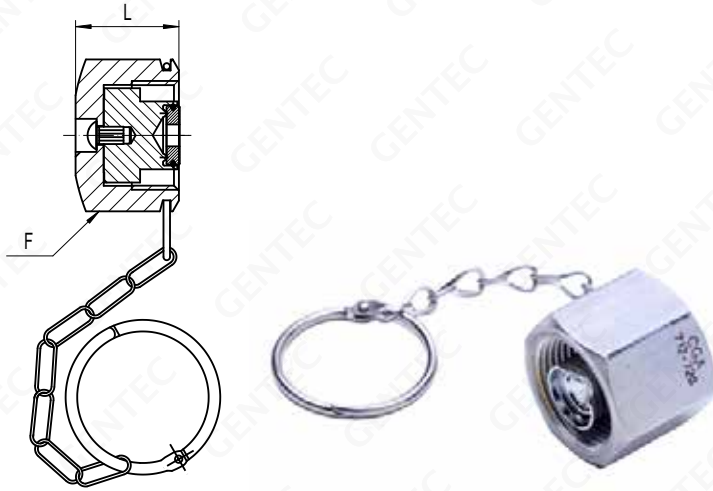
Flow Restrictors Allocation Table

Code	Part No.	Hole Diameter in.(mm)	Model
T1	330111600	0.01" (0.3)	ND53184/4
T2	330111610	0.02" (0.5)	ND53184/6
T3	330111650	0.04" (1)	ND53184/7
T4	330111620	0.07" (1.75)	ND53184/1
T5	330111630	0.1" (2.5)	ND53184/2
T6	330111640	0.12" (3)	ND53184/3



Flow Restrictor

UHP CGA Caps



UHP CGA Caps Allocation Table

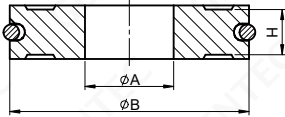
Standard No.	Model No.	Product No.	Material	Hex Flat F in.(mm)	Length L in.(mm)	Washer
CGA632	SS-DISS-63GTC	206703150	Stainless Steel	1-1/4" (31.75)	.98" (24.89)	PCTFE Gasket
CGA634	SS-DISS-63GTC	206703150	Stainless Steel	1-1/4" (31.75)	.98" (24.89)	PCTFE Gasket
CGA636	SS-DISS-63GTC	206703150	Stainless Steel	1-1/4" (31.75)	.98" (24.89)	PCTFE Gasket
CGA638	SS-DISS-63GTC	206703150	Stainless Steel	1-1/4" (31.75)	.98" (24.89)	PCTFE Gasket
CGA640	SS-DISS-63GTC	206703150	Stainless Steel	1-1/4" (31.75)	.98" (24.89)	PCTFE Gasket
CGA642	SS-DISS-63GTC	206703150	Stainless Steel	1-1/4" (31.75)	.98" (24.89)	PCTFE Gasket
CGA712	SS-DISS-71GTC	206703160	Stainless Steel	1-3/8" (34.93)	.98" (24.89)	PCTFE Gasket
CGA714	SS-DISS-71GTC	206703160	Stainless Steel	1-3/8" (34.93)	.98" (24.89)	PCTFE Gasket
CGA716	SS-DISS-71GTC	206703160	Stainless Steel	1-3/8" (34.93)	.98" (24.89)	PCTFE Gasket
CGA718	SS-DISS-71GTC	206703160	Stainless Steel	1-3/8" (34.93)	.98" (24.89)	PCTFE Gasket
CGA720	SS-DISS-71GTC	206703160	Stainless Steel	1-3/8" (34.93)	.98" (24.89)	PCTFE Gasket
CGA722	SS-DISS-71GTC	206703160	Stainless Steel	1-3/8" (34.93)	.98" (24.89)	PCTFE Gasket
CGA724	SS-DISS-71GTC	206703160	Stainless Steel	1-3/8" (34.93)	.98" (24.89)	PCTFE Gasket
CGA726	SS-DISS-71GTC	206703160	Stainless Steel	1-3/8" (34.93)	.98" (24.89)	PCTFE Gasket
CGA728	SS-DISS-71GTC	206703160	Stainless Steel	1-3/8" (34.93)	.98" (24.89)	PCTFE Gasket

ACCESSORIES

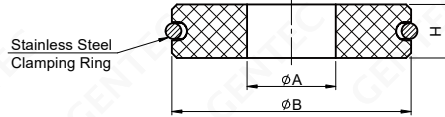
Cylinder Valves

Solutions for Life

UHP CGA Washers



NI-G-63(70)

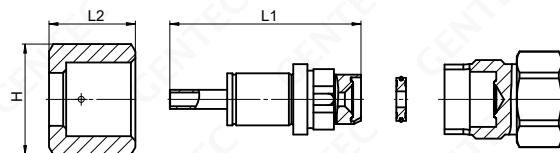
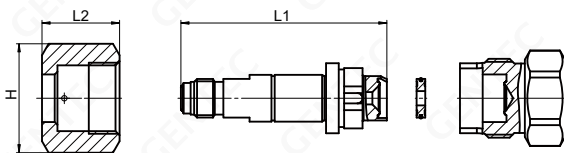


P-G-63

UHP CGA Washers Allocation Table

Model	Part No.	Dimensions in.(mm)			Material
		A	B	H	
P-G-63	300511430	0.2" (5.3)	0.59" (15.1)	0.125" (3.2)	PCTFE
NI-G-63(70)	300511410	0.2" (5.3)	0.59" (15.1)	0.106" (2.7)	Nickel

UHP CGA Connections



UHP CGA Connections Allocation Table

Standard No.	Model No.	Nipple Length L1 in.(mm)	Nut Length L2 in.(mm)	Nut Screw	Outlet Connection	Washer	Cap	Gases, Pressure
CGA 632	SS-CGA632-NT4	3" (76.2)	1-1/8" (25.53)	1.030-14NGO-RH	1/4" NPT Male	NI-G-63	SL-BG-63	Applicable gases: AsH ₃ , GeH ₄ , SiH ₄ , B ₂ H ₆ , H ₂ Se, C ₃ H ₁₀ Si, Si ₂ H ₆ , PH ₃
	SS-CGA632-TW4	2.5" (63.5)			1/4" Tube Weld			
	SS-CGA632-VM4	3" (76.2)			1/4" FSR Male			
	SS-CGA632-NT4-SET	3" (76.2)			1/4" NPT Male			
	SS-CGA632-TW4-SET	2.5" (63.5)			1/4" Tube Weld			
	SS-CGA632-VM4-SET	3" (76.2)			1/4" FSR Male			

UHP CGA Connections

UHP CGA Connections Allocation Table									
Standard No.	Model No.	Nipple Length L1 in.(mm)	Nut Length L2 in.(mm)	Nut Screw	Outlet Connection	Washer	Cap	Gases, Pressure	
CGA 634	SS-CGA634-NT4	3" (76.2)	1-1/8" (25.53)	1.030-14NGO-RH	1/4" NPT Male	NI-G-63	/	SL-BG-63	Applicable gases: BCl3, HBr, HCl Max working pressure: 3000 psig (20 680 kPa)
	SS-CGA634-TW4	2.5" (63.5)			1/4" Tube Weld				
	SS-CGA634-VM4	3" (76.2)			1/4" FSR Male				
	SS-CGA634-NT4-SET	3" (76.2)			1/4" NPT Male				
	SS-CGA634-TW4-SET	2.5" (63.5)			1/4" Tube Weld				
	SS-CGA634-VM4-SET	3" (76.2)			1/4" FSR Male				
CGA 636	SS-CGA636-NT4	3" (76.2)	1-1/8" (25.53)	1.030-14NGO-RH	1/4" NPT Male	NI-G-63	/	SL-BG-63	Applicable gases: SiH2Cl2, SiCl4, HCl3Si Max working pressure: 3000 psig (20 680 kPa)
	SS-CGA636-TW4	2.5" (63.5)			1/4" Tube Weld				
	SS-CGA636-VM4	3" (76.2)			1/4" FSR Male				
	SS-CGA636-NT4-SET	3" (76.2)			1/4" NPT Male				
	SS-CGA636-TW4-SET	2.5" (63.5)			1/4" Tube Weld				
	SS-CGA636-VM4-SET	3" (76.2)			1/4" FSR Male				
CGA 638	SS-CGA638-NT4	3" (76.2)	1-1/8" (25.53)	1.030-14NGO-RH	1/4" NPT Male	NI-G-63	/	SL-BG-63	Applicable gases: SiH2Cl2, SiCl4 Max working pressure: 3000 psig (20 680 kPa)
	SS-CGA638-TW4	2.5" (63.5)			1/4" Tube Weld				
	SS-CGA638-VM4	3" (76.2)			1/4" FSR Male				
	SS-CGA638-NT4-SET	3" (76.2)			1/4" NPT Male				
	SS-CGA638-TW4-SET	2.5" (63.5)			1/4" Tube Weld				
	SS-CGA638-VM4-SET	3" (76.2)			1/4" FSR Male				
CGA 640	SS-CGA640-NT4	3" (76.2)	1-1/8" (25.53)	1.030-14NGO-RH	1/4" NPT Male	NI-G-63	/	SL-BG-63	Applicable gases: NF3 Max working pressure: 3000 psig (20 680 kPa)
	SS-CGA640-TW4	2.5" (63.5)			1/4" Tube Weld				
	SS-CGA640-VM4	3" (76.2)			1/4" FSR Male				
	SS-CGA640-NT4-SET	3" (76.2)			1/4" NPT Male				
	SS-CGA640-TW4-SET	2.5" (63.5)			1/4" Tube Weld				
	SS-CGA640-VM4-SET	3" (76.2)			1/4" FSR Male				
CGA 642	SS-CGA642-NT4	3" (76.2)	1-1/8" (25.53)	1.030-14NGO-RH	1/4" NPT Male	NI-G-63	/	SL-BG-63	Applicable gases: AsF5, PF5, BF3, SiF4, GeF4 Max working pressure: 3000 psig (20 680 kPa)
	SS-CGA642-TW4	2.5" (63.5)			1/4" Tube Weld				
	SS-CGA642-VM4	3" (76.2)			1/4" FSR Male				
	SS-CGA642-NT4-SET	3" (76.2)			1/4" NPT Male				
	SS-CGA642-TW4-SET	2.5" (63.5)			1/4" Tube Weld				
	SS-CGA642-VM4-SET	3" (76.2)			1/4" FSR Male				
CGA 712	SS-CGA712-NT4	3" (76.2)	1-1/8" (25.53)	1.125-14NGO-RH	1/4" NPT Male	NI-G-63	/	SL-BG-71	Applicable gases: N2O Max working pressure: 3000 psig (20 680 kPa)
	SS-CGA712-TW4	2.5" (63.5)			1/4" Tube Weld				
	SS-CGA712-VM4	3" (76.2)			1/4" FSR Male				
	SS-CGA712-NT4-SET	3" (76.2)			1/4" NPT Male				
	SS-CGA712-TW4-SET	2.5" (63.5)			1/4" Tube Weld				
	SS-CGA712-VM4-SET	3" (76.2)			1/4" FSR Male				
CGA 714	SS-CGA714-NT4	3" (76.2)	1-1/8" (25.53)	1.125-14NGO-RH	1/4" NPT Male	NI-G-63	/	SL-BG-71	Applicable gases: O2 Max working pressure: 3000 psig (20 680 kPa)
	SS-CGA714-TW4	2.5" (63.5)			1/4" Tube Weld				
	SS-CGA714-VM4	3" (76.2)			1/4" FSR Male				
	SS-CGA714-NT4-SET	3" (76.2)			1/4" NPT Male				
	SS-CGA714-TW4-SET	2.5" (63.5)			1/4" Tube Weld				
	SS-CGA714-VM4-SET	3" (76.2)			1/4" FSR Male				

ACCESSORIES

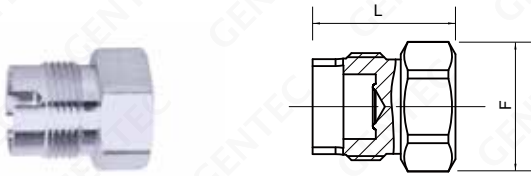
Cylinder Valves

Solutions for Life

UHP CGA Connections

UHP CGA Connections Allocation Table								
Standard No.	Model No.	Nipple Length L1 in.(mm)	Nut Length L2 in.(mm)	Nut Screw	Outlet Connection	Washer	Cap	Gases, Pressure
CGA 716	SS-CGA716-NT4	3" (76.2)	1-1/8" (25.53)	1.125-14NGO-RH	1/4" NPT Male	NI-G-63	/	Applicable gases: CO2, SF6, CHF3, C3F8 Max working pressure: 3000 psig (20 680 kPa)
	SS-CGA716-TW4	2.5" (63.5)			1/4" Tube Weld			
	SS-CGA716-VM4	3" (76.2)			1/4" FSR Male			
	SS-CGA716-NT4-SET	3" (76.2)			1/4" NPT Male			
	SS-CGA716-TW4-SET	2.5" (63.5)			1/4" Tube Weld			
	SS-CGA716-VM4-SET	3" (76.2)			1/4" FSR Male			
CGA 718	SS-CGA718-NT4	3" (76.2)	1-1/8" (25.53)	1.125-14NGO-RH	1/4" NPT Male	NI-G-63	/	Applicable gases: Ar, Kr, N, He, Ne, Xe Max working pressure: 3000 psig (20 680 kPa)
	SS-CGA718-TW4	2.5" (63.5)			1/4" Tube Weld			
	SS-CGA718-VM4	3" (76.2)			1/4" FSR Male			
	SS-CGA718-NT4-SET	3" (76.2)			1/4" NPT Male			
	SS-CGA718-TW4-SET	2.5" (63.5)			1/4" Tube Weld			
	SS-CGA718-VM4-SET	3" (76.2)			1/4" FSR Male			
CGA 720	SS-CGA720-NT4	3" (76.2)	1-1/8" (25.53)	1.125-14NGO-RH	1/4" NPT Male	NI-G-63	/	Applicable gases: NH3 Max working pressure: 3000 psig (20 680 kPa)
	SS-CGA720-TW4	2.5" (63.5)			1/4" Tube Weld			
	SS-CGA720-VM4	3" (76.2)			1/4" FSR Male			
	SS-CGA720-NT4-SET	3" (76.2)			1/4" NPT Male			
	SS-CGA720-TW4-SET	2.5" (63.5)			1/4" Tube Weld			
	SS-CGA720-VM4-SET	3" (76.2)			1/4" FSR Male			
CGA722	SS-CGA722-NT4	3" (76.2)	1-1/8" (25.53)	1.125-14NGO-RH	1/4" NPT Male	NI-G-63	/	Applicable gases: H2S Max working pressure: 3000 psig (20 680 kPa)
	SS-CGA722-TW4	2.5" (63.5)			1/4" Tube Weld			
	SS-CGA722-VM4	3" (76.2)			1/4" FSR Male			
	SS-CGA722-NT4-SET	3" (76.2)			1/4" NPT Male			
	SS-CGA722-TW4-SET	2.5" (63.5)			1/4" Tube Weld			
	SS-CGA722-VM4-SET	3" (76.2)			1/4" FSR Male			
CGA 724	SS-CGA724-NT4	3" (76.2)	1-1/8" (25.53)	1.125-14NGO-RH	1/4" NPT Male	NI-G-63	/	Applicable gases: CO, C2H4, CH2F2, D, H, C4H10FO2P, Max working pressure: 3000 psig (20 680 kPa)
	SS-CGA724-TW4	2.5" (63.5)			1/4" Tube Weld			
	SS-CGA724-VM4	3" (76.2)			1/4" FSR Male			
	SS-CGA724-NT4-SET	3" (76.2)			1/4" NPT Male			
	SS-CGA724-TW4-SET	2.5" (63.5)			1/4" Tube Weld			
	SS-CGA724-VM4-SET	3" (76.2)			1/4" FSR Male			
CGA 726	SS-CGA726-NT4	3" (76.2)	1-1/8" (25.53)	1.125-14NGO-RH	1/4" NPT Male	NI-G-63	/	Applicable gases: C2H5, C2H6Zn, Zn(C2H5)2, C6H15Al Max working pressure: 3000 psig (20 680 kPa)
	SS-CGA726-TW4	2.5" (63.5)			1/4" Tube Weld			
	SS-CGA726-VM4	3" (76.2)			1/4" FSR Male			
	SS-CGA726-NT4-SET	3" (76.2)			1/4" NPT Male			
	SS-CGA726-TW4-SET	2.5" (63.5)			1/4" Tube Weld			
	SS-CGA726-VM4-SET	3" (76.2)			1/4" FSR Male			
CGA 728	SS-CGA728-NT4	3" (76.2)	1-1/8" (25.53)	1.125-14NGO-RH	1/4" NPT Male	NI-G-63	/	Applicable gases: Cl, F, NO, ClF3 Max working pressure: 3000 psig (20 680 kPa)
	SS-CGA728-TW4	2.5" (63.5)			1/4" Tube Weld			
	SS-CGA728-VM4	3" (76.2)			1/4" FSR Male			
	SS-CGA728-NT4-SET	3" (76.2)			1/4" NPT Male			
	SS-CGA728-TW4-SET	2.5" (63.5)			1/4" Tube Weld			
	SS-CGA728-VM4-SET	3" (76.2)			1/4" FSR Male			

UHP CGA Connection Plugs



UHP CGA Connection Plugs Allocation Table

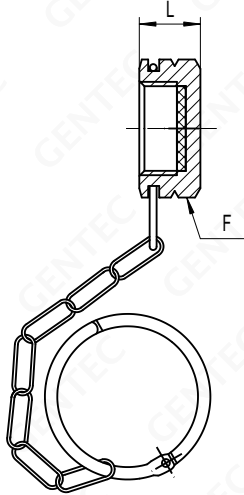
Standard No.	Model No.	Length L in.(mm)	Hex Flat F in.(mm)
CGA632	SL-BG-63	1.53" (38.9)	1-1/8" (28.6)
CGA634	SL-BG-63		
CGA636	SL-BG-63		
CGA638	SL-BG-63		
CGA640	SL-BG-63		
CGA642	SL-BG-63		
CGA712	SL-BG-71	1.53" (38.9)	1-1/4" (31.8)
CGA714	SL-BG-71		
CGA716	SL-BG-71		
CGA718	SL-BG-71		
CGA720	SL-BG-72	1.53" (38.9)	1-1/4" (31.8)
CGA722	SL-BG-72		
CGA724	SL-BG-72		
CGA726	SL-BG-72		
CGA728	SL-BG-72		

ACCESSORIES

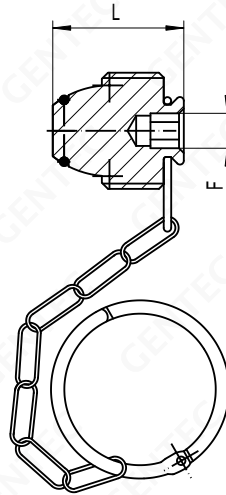
Cylinder Valves

Solutions for Life

HP CGA Caps & Plugs



CGA Caps



CGA Plugs



HP CGA Caps & Plugs Allocation Table

	Standard No.	Model No.	Product No.	Material	Hex Flat F in.(mm)	Length L in.(mm)	Washer
CAP	CGA320	SS-CGA-30C	206703080	Stainless Steel	1-1/16" (25.46)	.54" (13.72)	Nylon
	CGA326	SS-CGA-30C	206703080	Stainless Steel	1-1/16" (25.46)	.54" (13.72)	Nylon
	CGA330	SS-CGA-33C	206030060	Stainless Steel	1-1/16" (25.46)	.54" (13.72)	Nylon
	CGA346	SS-CGA-30C	206703080	Stainless Steel	1-1/16" (25.46)	.54" (13.72)	Nylon
	CGA350	SS-CGA-350GTC	206703090	Stainless Steel	1-1/16" (25.46)	.54" (13.72)	/
	CGA660	SS-CGA-66C	206703070	Stainless Steel	1-1/4" (25.65)	.54" (13.72)	Nylon
	CGA670	SS-CGA-67C	206703110	Stainless Steel	1-1/4" (25.65)	.54" (13.72)	Nylon
	CGA678	SS-CGA-67C	206703110	Stainless Steel	1-1/4" (25.65)	.54" (13.72)	Nylon
	CGA679	SS-CGA-67C	206703110	Stainless Steel	1-1/4" (25.65)	.54" (13.72)	Nylon
	CGA705	SS-CGA-705C	206703120	Stainless Steel	1-3/8" (25.78)	.54" (13.72)	Nylon
PLUG	CGA510	SS-CGA-51P	206703130	Stainless Steel	1/4" (6.35)	1.08" (27.43)	O-ring
	CGA580	SS-CGA-58P	206703100	Stainless Steel	1/4" (6.35)	1.08" (27.43)	O-ring
	CGA590	SS-CGA-59P	206703140	Stainless Steel	1/4" (6.35)	1.08" (27.43)	O-ring

HP CGA Connections**USA CGA Standard Fitting Ordering Information**

Ex: SS	- CGA 320	- TW4	- 3	- SET
Material	Standard No.	Connection*	Options(1)	Options(2)
SS: 316	CGA 320 CGA 330 CGA 350 CGA 580 CGA 590 CGA 660	NT4: 1/4" NPT(M) TW4: 1/4" Welded pipe VM4: 1/4" VCR(M)	Blank: Standard length 3: Length 3" 2.5: Length 2.5"	Blank: No Accessories SET: With pipe plug

DIN477 Standard Fitting Ordering Information

Ex: SS	- DIN477#01	- TW4	- 3	- SET
Material	Standard No.	Connection*	Options(1)	Options(2)
SS: 316	DIN477#01 DIN477#02 DIN477#06 DIN477#08 DIN477#10 DIN477#14	NT4: 1/4" NPT(M) TW4: 1/4" Welded pipe VM4: 1/4" VCR(M)	Blank: Standard length 3: Length 3" 2.5: Length 2.5"	Blank: No Accessories SET: With pipe plug

GB Standard Fitting Ordering Information

Ex: SS	- GB#01	- TW4	- 3	- SET
Material	Standard No.	Connection*	Options(1)	Options(2)
SS: 316	GB#01 GB#02 GB#06 GB#08 GB#10 GB#14	NT4: 1/4" NPT(M) TW4: 1/4" Welded pipe VM4: 1/4" VCR(M)	Blank: Standard length 3: Length 3" 2.5: Length 2.5"	Blank: No Accessories SET: With pipe plug

ACCESSORIES

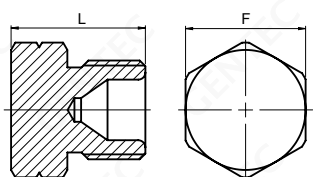
Cylinder Valves

Solutions for Life

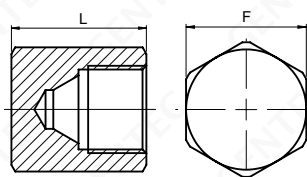
BS341 Standard Fitting Ordering Information

Ex: SS	- BS341#02	- TW4	- 3	- SET
Material	Standard No.	Connection*	Options(1)	Options(2)
SS: 316	BS341#02 BS341#03 BS341#06 BS341#10 BS341#11 BS341#14	NT4: 1/4" NPT(M) TW4: 1/4" Welded pipe VM4: 1/4" VCR(M)	Blank: Standard length 3: Length 3" 2.5: Length 2.5"	Blank: No Accessories SET: With pipe plug

HP Connections Plugs



SL-B G-CGA350



SL-BP-CGA500



USA CGA Standard Plugs

USA CGA Standard Plugs Allocation Table				
Standard No.	Model No.	Screw Thread	Length L in.(mm)	Hex Flat F in.(mm)
CGA170	SL-BG-CGA170	0.5625-18UNF-2A-RH (M)	1"(25.4)	1"(25.4)
CGA180	SL-BG-CGA180	0.625-18UNF-2A-RH (M)	1"(25.4)	1"(25.4)
CGA200	SL-BG-CGA200	0.628-20NGO-RH (M)	0.08"(22.4)	1"(25.4)
CGA280	SL-BG-CGA280	0.745-14NGO-RH (M)	1.12"(28.4)	1"(25.4)
CGA290	SL-BG-CGA290	0.745-14NGO-LH (M)	1.12"(28.4)	1"(25.4)
CGA300	SL-BG-CGA300	0.825-14NGO-RH (M)	1.12"(28.4)	1"(25.4)
CGA320	SL-BG-CGA320	0.825-14NGO-RH (M)	1.12"(28.4)	1"(25.4)
CGA326	SL-BG-CGA326	0.825-14NGO-RH (M)	1.12"(28.4)	1"(25.4)
CGA330	SL-BG-CGA330	0.825-14NGO-LH (M)	1.12"(28.4)	1"(25.4)
CGA346	SL-BG-CGA346	0.825-14NGO-RH (M)	1.12"(28.4)	1"(25.4)

USA CGA Standard Plugs

USA CGA Standard Plugs Allocation Table				
Standard No.	Model No.	Screw Thread	Length L in.(mm)	Hex Flat F in.(mm)
CGA347	SL-BG-CGA347	0.825-14NGO-RH (M)	1.37"(34.8)	1"(25.4)
CGA350	SL-BG-CGA350	0.825-14NGO-LH (M)	1.12"(28.4)	1"(25.4)
CGA410	SL-BG-CGA410	0.850-14NGO-LH (M)	1.12"(28.4)	1"(25.4)
CGA500	SL-BP-CGA500	0.885-14NGO-RH (M)	1.37"(34.8)	1.25"(31.8)
CGA510	SL-BP-CGA510	0.885-14NGO-LH (M)	1.25"(34.8)	1.25"(31.8)
CGA520	SL-BG-CGA520	0.895-18NGO-RH (M)	0.08"(22.4)	1"(25.4)
CGA540	SL-BG-CGA540	0.903-14NGO-RH (M)	1.12"(28.4)	1"(25.4)
CGA555	SL-BG-CGA555	0.903-14NGO-LH (M)	1.12"(28.4)	1"(25.4)
CGA577	SL-BG-CGA577	0.960-14NGO-RH (M)	1.12"(28.4)	1"(25.4)
CGA580	SL-BP-CGA580	0.965-14NGO-RH (F)	1.37"(34.8)	1.25"(31.8)
CGA590	SL-BP-CGA590	0.965-14NGO-LH (F)	1.37"(34.8)	1.25"(31.8)
CGA660	SL-BG-CGA660	1.030-14NGO-RH (M)	0.08"(22.4)	1-1/8"(28.6)
CGA670	SL-BG-CGA670	1.030-14NGO-RH (M)	1"(25.4)	1-1/8"(28.6)
CGA677	SL-BG-CGA677	1.030-14NGO-RH (M)	1"(25.4)	1-1/8"(28.6)
CGA678	SL-BG-CGA678	1.030-14NGO-LH (M)	1"(25.4)	1-1/8"(28.6)
CGA679	SL-BG-CGA679	1.030-14NGO-LH (M)	1"(25.4)	1-1/8"(28.6)
CGA680	SL-BP-CGA680	1.045-14NGO-RH (F)	1.37"(34.8)	1.25"(31.8)
CGA695	SL-BP-CGA695	1.045-14NGO-LH (F)	1.37"(34.8)	1.25"(31.8)

DIN Standard Plugs

DIN Standard Plugs Allocation Table				
Standard No.	Model No.	Screw Thread	Length L in.(mm)	Hex Flat F in.(mm)
DIN01	SL-BG-DIN01	W21.8×1/14-LH (M)	0.08"(22.4)	1"(25.4)
DIN04	SL-BG-DIN04	G3/8-LH (M)	1"(25.4)	1"(25.4)
DIN06	SL-BG-DIN06	W21.8×1/14-RH (M)	1.12"(28.4)	1"(25.4)
DIN07	SL-BG-DIN07	G5/8-RH (M)	0.08"(22.4)	1"(25.4)
DIN11	SL-BG-DIN11	G3/8-RH (M)	1"(25.4)	1"(25.4)
DIN13	SL-BP-DIN13	G5/8-RH (F)	1.37"(34.8)	1.25"(31.8)
DIN15	SL-BP-DIN15	W21.8×1/14-LH (F)	1.37"(34.8)	1.25"(31.8)

ACCESSORIES

Cylinder Valves

Solutions for Life

BS Standard Plugs

BS Standard Plugs Allocation Table				
Standard No.	Model No.	Screw Thread	Length L in.(mm)	Hex Flat F in.(mm)
BS02	SL-BP-BS02	G5/8-LH (F)	1.37"(34.8)	1.25"(31.8)
BS03	SL-BP-BS03	G5/8-RH (F)	1.37"(34.8)	1.25"(31.8)
BS04	SL-BP-BS02	G5/8-LH (F)	1.37"(34.8)	1.25"(31.8)
BS06	SL-BG-BS06	G5/8-RH (M)	1"(25.4)	1"(25.4)
BS07	SL-BG-BS07	G5/8-LH (M)	1.12"(28.4)	1"(25.4)
BS08	SL-BG-DIN06	W21.8×1/14-RH (M)	1.12"(28.4)	1"(25.4)
BS10	SL-BG-BS10	G1/2-RH (M)	1.12"(28.4)	1"(25.4)
BS11	SL-BG-BS11	G1/2-LH (M)	1.12"(28.4)	1"(25.4)
BS14	SL-BG-DIN11	G3/8-RH (M)	1"(25.4)	1"(25.4)
BS15	SL-BG-BS15	G3/8-LH (M)	1"(25.4)	1"(25.4)
BS16	SL-BG-BS16	G1/4-RH (M)	1"(25.4)	1"(25.4)
BS17	SL-BG-BS17	G1/4-LH (M)	1"(25.4)	1"(25.4)

GB Standard Plugs

GB Standard Plugs Allocation Table				
Standard No.	Model No.	Screw Thread	Length L in.(mm)	Hex Flat F in.(mm)
GB01	SL-BG-DIN06	W21.8-14-RH (M)	1.12"(28.4)	1"(25.4)
GB03	SL-BG-GB03	G5/8-RH (M)	1.12"(28.4)	1"(25.4)
GB04	SL-BG-GB03	G5/8-RH (M)	1.12"(28.4)	1"(25.4)
GB05	SL-BG-GB03	G5/8-RH (M)	1.12"(28.4)	1"(25.4)
GB06	SL-BG-DIN06	W21.8-14-RH (M)	1.12"(28.4)	1"(25.4)
GB07	SL-BG-DIN06	W21.8-14-RH (M)	1.12"(28.4)	1"(25.4)
GB09	SL-BG-GB03	G5/8-RH (M)	1.12"(28.4)	1"(25.4)
GB10	SL-BG-DIN06	W21.8-14-RH (M)	1.12"(28.4)	1"(25.4)
GB11	SL-BP-GB11	G5/8-LH (F)	1.37"(34.8)	1.25"(31.8)
GB12	SL-BP-GB11	G5/8-LH (F)	1.37"(34.8)	1.25"(31.8)
GB14	SL-BG-DIN01	W21.8-14-LH (M)	0.08"(22.4)	1"(25.4)
GB16	SL-BG-DIN01	W21.8-14-LH (M)	0.08"(22.4)	1"(25.4)
GB17	SL-BG-DIN01	W21.8-14-LH (M)	0.08"(22.4)	1"(25.4)
GB18	SL-BG-DIN01	W21.8-14-LH (M)	0.08"(22.4)	1"(25.4)
GB19	SL-BG-GB03	G5/8-RH (M)	1.12"(28.4)	1"(25.4)
GB21	SL-BG-DIN01	W21.8-14-LH (M)	0.08"(22.4)	1"(25.4)
GB23	SL-BG-GB03	G5/8-RH (M)	1.12"(28.4)	1"(25.4)

HP Connection Nuts, gas-guide tubes & Washers



Nut Ordering Information

NT - SS	- CGA320
Material	Standard No.
SS: 316	CGA 320
	CGA 350
	CGA 580
	CGA 660
	DIN477 #02
	DIN477 #08
	DIN477 #10
	GB #02
	GB #06
	GB #08
	BS341 #03
	BS341 #10
BS341 #11	

gas-guide tube Ordering Information

NP - SL	- CGA320	- TW4
Material	Standard No.	Connection
SS: 316 SL:316L	CGA 320	NT4: 1/4" NPT(M)
	CGA 350	TW4: 1/4" Welded pipe
	CGA 580	VM4: 1/4" VCR(M)
	CGA 660	
	DIN477 #02	
	DIN477 #08	
	DIN477 #10	
	GB #02	
	GB #06	
	GB #08	
	BS341 #03	
	BS341 #10	
BS341 #11		

Washer Ordering Information

WS - TF	- CGA320
Material	Standard No.
TF: Tetrafluoroethylene	CGA 660
NL: Nylon	DIN477 #01
PVDF: Polyvinylidene fluoride	DIN477 #02
	DIN477 #05
	GB #02
	GB #06
	GB #09
	BS341 #01
	BS341 #06
	BS341 #11

RELATED CATALOGS

GENTEC® Related Catalogs

Solutions for Life



Ultra-high Purity

- UHP Regulators
- UHP Valves
- UHP Flow Switches
- UHP Vacuum Generators
- UHP Gas Sticks
- UHP Pressure Gauges
- UHP Fittings



Specialty Manifold Systems

- Specialty Gas Control Panels
- Specialty Gas Manifolds
- Terminal Gas Control Panels
- Other Control Systems
- Accessories



Specialty Gas Regulators & Accessories

- Regulators
- Pressure Gauges
- Valves
- Filters
- Special Applications



Valves

- Needle Valves
- Metering Valves
- Ball Valves
- Diaphragm Valves
- Gauge Valves
- Check Valves
- Excess Flow Valves
- Relief Valves



Pharma Valves

- PR20 Series
- PR21 Series
- PR22 Series
- PR23 Series
- PR26 Series
- PR28 Series
- PR29 Series



Tube Fittings

- Male NPT threads (Elbows)
- Female NPT threads ((Elbows)
- Unions (Elbows)
- Union Tees(Cross)
- Reducing Unions
- Plug, Caps
- Nuts
- Ferrules



Pipe Fittings

- Hex Nipple
- Coupling
- Adapter
- Elbow
- Street Tee
- Cross
- Union, Head Plug
- Hose Connector



Weld Fittings

- Tube Weld Fittings
- Butt Weld Fittings
- Micro Weld Fittings
- Socket Weld Fittings



Quick Connectors

- Hex Nipple
- Coupling
- Adapter
- Elbow
- Street Tee
- Cross
- Union, Head Plug
- Hose Connector

Please contact us for any questions about catalogs.

- Requesting Catalogs
- Register an account to view / download pdf catalogs. (Online Register)

To view our full line of Specialty Gas Products please visit us online at www.gentec.com



GENSTAR TECHNOLOGIES COMPANY INC.
4525 Edison Ave, Chino, CA 91710
Tel: 909.606.2726
Fax: 909.606.6485
www.genstartech.com



GENTEC (SHANGHAI) CORPORATION
No.499 Wenji Rd.Songjiang District. Shanghai 201616, P.R.C.
TEL: +86 21 67727722
FAX: +86 21 67727754
www.gentec.com

